

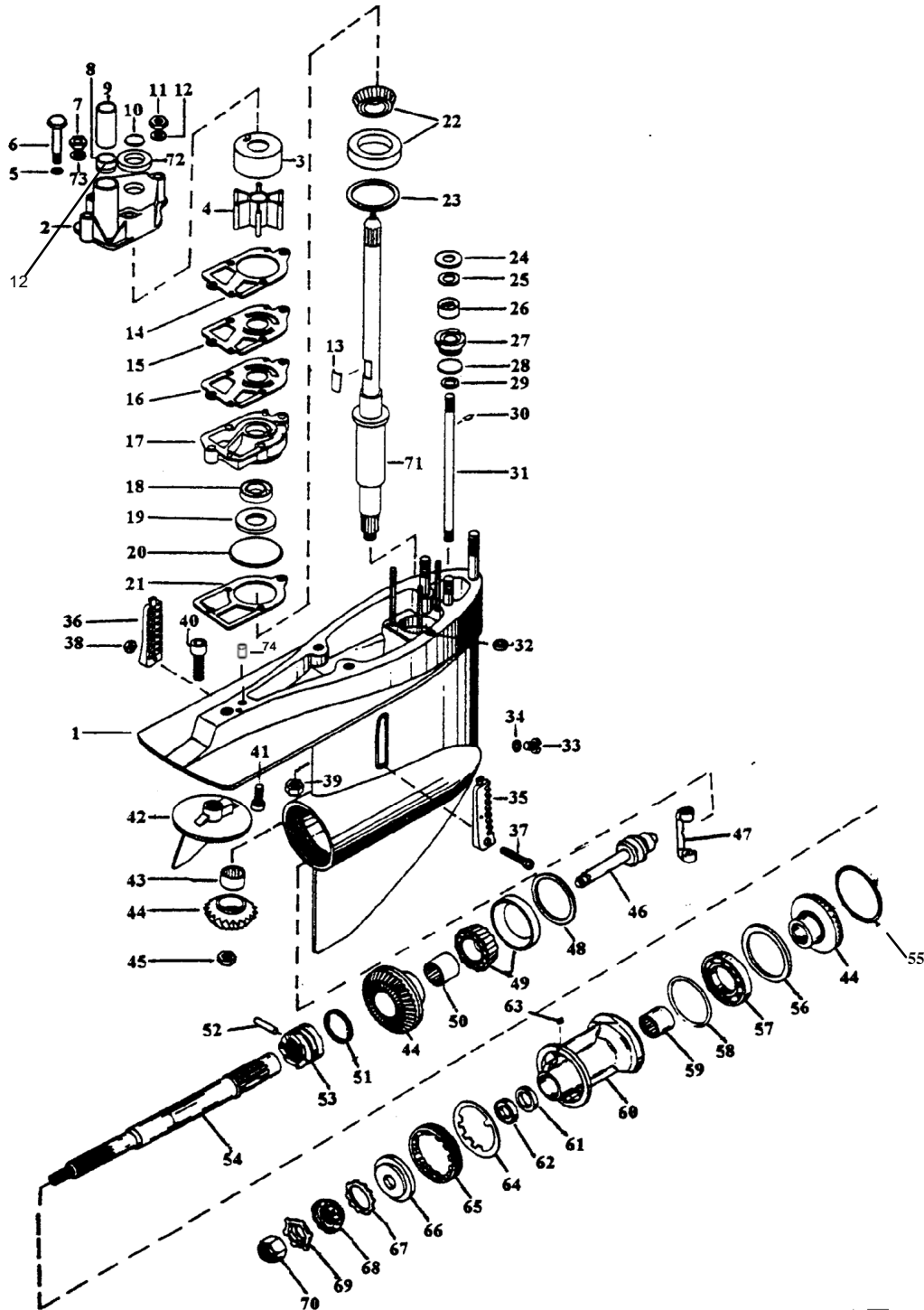
# HER SHENG MARINE INDUSTRIAL CO., LTD.

MERCUISER

# HER SHENG

MC1/R

## DESPIECE PARTE INFERIOR COLA - Gear housing components



# HER SHENG MARINE INDUSTRIAL CO., LTD.

MERCUISER		<b>HER SHENG</b>		MC1/R
Nº	OEM	DESCRIPTION	DESCRIPCIÓN	
1	1623-5356A 4	GEAR HOUSING	Carcasa Cola	
2	46-96148A 1	WATER PUMPHSG	Cuerpo bomba agua	
3	48752	CUP	Casquillo bomba	
4	47-89984	IMPELLER	Impulsor	
5	12-36001	WASHER	Arandela	
6	10-30720	SCREW	Tomillo	
7	11-13438	NUT	Tuerca	
8	26-38970	SEAL	Retén	
9	23-29804	TUBECULDE	Tubo guía	
10	25-30613	O-RING	Anillo goma	
11	11-13436	NUT	Tuerca	
12	12-29245	WASHER	Arandela	
13	28-56654	KEY	Chaveta	
14	27-85609-1	GASKET	Junta tapa bomba	
15	32435	WEAR PLATE	Tapa bomba	
16	27-85608-1	GASKET	Junta bomba	
17	46-44292A 3	WATER PUMP BASE	Base bomba	
18	26-16977	OIL SEAL	Retén	
19	26-89238	OIL SEAL	Retén	
20	25-33145	O-RING	Anillo goma	
21	27-856704	GASKET	Junta	
22	31-53079A 1	ROLLER BEARING	Rodamiento	
23	15-57007A 1	SHIM	Gruaso	
24	12-29395	WASHER	Arandela	
25	12-31266	WASHER	Arandela	
26	26-89236	OIL SEAL	Retén	
27	23-30617A 2	BUSHING ASSEMBLY	A cople eje	
28	25-25439	O-RING	Anillo goma	
29	12-27880	WASHER	Aro	
30	18-20233	CLIP	Cierre	
31	77481-1	SHIFT SHAFT	Eje transmisión	
32	26-45577-1	SEAL	Retén	
33	22-67892A 1	SCREW	Tomillo con retén	

# HER SHENG MARINE INDUSTRIAL CO., LTD.

MERCUISER		<b>HER SHENG</b>		MC1/R
Nº	OEM	DESCRIPTION	DESCRIPCIÓN	
34	12-19183	WASHER	Junta	
35	93423-1	INSERT (STARBOARD)	Tapa refrigeración	
36	93424-1	INSERT (PORT)	Tapa refrigeración	
37	10-76156	SCREW	Tomillo	
38	11-45812	NUT	Tuerca	
39	11-13439-1	NUT	Tuerca	
40	10-32470	SCREW	Tomillo	
41	10-30206	SCREW	Tomillo	
42	31640Q4	TRIM TAB	Anodo timón	
43	31-92366A1	ROLLER BEARING	Rodamiento	
44	43-96084A4	FORWARD GEAR SET	Kit piñones	
45	11-35921	NUT	Tuerca piñón	
46	818349T1	SHIFT SPOOL	Eje desplazable	
47	76865	SHIFT CRANK	Horquilla cambio	
48	15-47397A1	SHIM	Arandela	
49	31-35928T1	BEARING (ID .1875)	Rodamiento $\varnothing$ 47,6 mm	
49	31-828437A2	BEARING (ID .1750)	Rodamiento $\varnothing$ 44,4 mm	
50	31-30895	BEARING	Rodamiento	
51	24-30893	SPRING	Muelle	
52	17-30632	CROSS PIN	Pasador	
53	52-853594T	CLUTCH DOG	Piñón cambio	
54	44-824110	PROP SHAFT	Eje hélice	
55	15-97166	SHIM	Arandela ajuste	
56	35915	TRUSTRING	Separador piñón	
57	30-88957T	BALL BEARING	Rodamiento	
58	25-31534	O-RING	Anillo goma	
59	31-30956	ROLLER BEARING	Rodamiento	
60	818763A10	BEARING CARRIER	Cojinete cola	
61	26-14077	OIL SEAL (INSIDE)	Retén interior	
62	26-12224	OIL SEAL (OUTSIDE)	Retén exterior	
63	28-30281	KEY	Chaveta	
64	14-79447	TAB WASHER	Arandela cierre	
65	79448	COVER NUT	Tuerca	
66	12-825467	THRUST HUB	Separador	

# HER SHENG MARINE INDUSTRIAL CO., LTD.

MERCUISER		<b>HER SHENG</b>		MC1/R
Nº	OEM	EDSCRIPTION	DESCRIPC IÓN	
67	13-42351-1	LOCKW ASHER	A randela cierre	
68	12-31211A 2	TAB W ASHER RECEIVER	Casquillo	
69	14-31210	TAB W ASHER	A randela tuerca	
69	14-816629	TAB W ASHER (LONG LEG )	A randela tuerca	
70	11-827614	LOCK NUT	Tuerca eje	
71	45-42634	DRIVE SHAFT	Eje transm isión	
72	25-30271	SLINGER	Retén	
73	17-35973	DOW EL PIN	Pasador	