

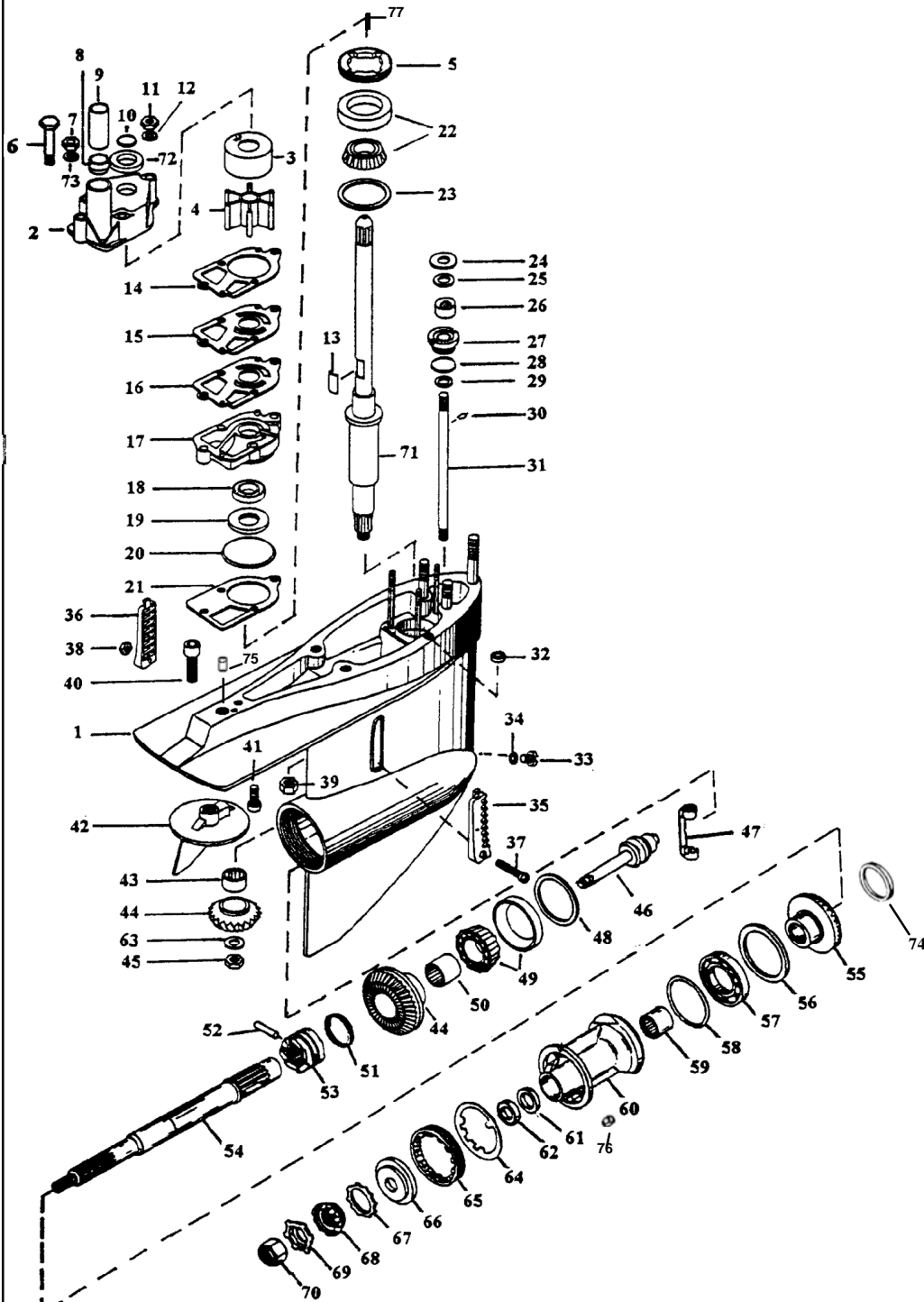
# HER SHENG MARINE INDUSTRIAL CO., LTD.

MERCUISER

# HER SHENG

MR/ALPHA ONE

## DESPIECE PARTE INFERIOR COLA - *Gear housing components*



# HER SHENG MARINE INDUSTRIAL CO., LTD.

MERCUISER		<b>HER SHENG</b>	MR/ALPHA ONE
Nº	OEM	DESCRIPTION	DESCRIPCIÓN
1	1623-8951A 37	GEAR HOUSING ASSEMBLY	Carcasa Cola
2	46-96148A 1	WATER PUMPHSG	Cuerpo bomba agua
3	48752	CUP	Casquillo bomba
4	47-89984	IMPELLER	Impulsor
5	824519	RETAINER	Arandela
6	10-96411	SCREW	Tomillo
7	11-13438	NUT	Tuerca
8	26-38970	SEAL	Retén
9	23-29804	TUBE CULDE	Tubo guía
10	25-30613	O-RING	Anillo goma
11	11-13436	NUT	Tuerca
12	12-36001	WASHER	Arandela
13	28-56654	KEY	Chaveta
14	27-85609-1	GASKET	Junta tapa bomba
15	32435	WEAR PLATE	Tapa bomba
16	27-85608-1	GASKET	Junta bomba
17	46-44292A 3	WATER PUMP BASE	Base bomba
18	26-16977	OIL SEAL	Retén
19	26-89238	OIL SEAL	Retén
20	25-90011	O-RING	Anillo goma( $\varnothing$ 2.188" )
20	25-38099	O-RING	Anillo goma( $\varnothing$ 2.125" )
21	27-42631-1	GASKET	Junta
22	31-36387A 1	ROLLER BEARING	Rodamiento
23	15-42637A 1	SHIM	Gruaso
24	12-29395	WASHER	Arandela
25	12-31266	WASHER	Arandela
26	26-89236	OIL SEAL	Retén
27	23-30617A 2	BUSHING ASSEMBLY	Acoople eje
28	25-25439	O-RING	Anillo goma
29	12-27880	WASHER	Aro
30	18-20233	CLIP	Cierre
31	77481-1	SHIFT SHAFT	Eje transmisión
32	26-45577-1	SEAL	Retén
33	22-67892A 1	SCREW	Tomillo con retén

# HER SHENG MARINE INDUSTRIAL CO., LTD.

MERCUISER		<b>HER SHENG</b>	MR/ALPHA ONE
Nº	OEM	DESCRIPTION	DESCRIPCIÓN
34	12-19183	WASHER	Junta
35	93423-1	INSERT(STARBOARD)	Tapa refrigeración
36	93424-1	INSERT(PORT)	Tapa refrigeración
37	10-76156	SCREW	Tomillo
38	11-45812	NUT	Tuerca
39	11-13439-1	NUT	Tuerca
40	10-32470	SCREW	Tomillo
41	10-30206	SCREW	Tomillo
42	31640Q4	TRIM TAB	A nodo timón
43	31-42647A1	ROLLER BEARING	Rodamiento
44	43-828072A2	FORWARD GEAR SET	Kit piñones
45	11-35921	NUT	Tuerca piñón
46	818349T1	SHIFT SPOOL	Eje desplazable
47	76865	SHIFT CRANK	Horquilla cambio
48	15-47397A1	SHIM	Arandela
49	31-35928T1	BEARING (ID.1.875)	Rodamiento $\varnothing$ 47,6 mm
49	31-828437A2	BEARING (ID.1.750)	Rodamiento $\varnothing$ 44,4 mm
50	31-30895	BEARING	Rodamiento
51	24-30893	SPRING	Muelle
52	17-30632	CROSS PIN	Pasador
53	52-853594T	CLUTCH DOG	Piñón cambio
54	44-824110	PROP SHAFT	Eje hélice
55	43-828073A1	REVERSE GEAR	Piñón marcha atrás
56	68100-1	TRUSTRING	Separador piñón
57	30-88957T	BALL BEARING	Rodamiento
58	25-31534	O-RING	Anillo goma
59	31-30956	ROLLER BEARING	Rodamiento
60	818763A10	BEARING CARRIER	Cojinete cola
61	26-14077	OIL SEAL (INSIDE)	Retén interior
62	26-12224	OIL SEAL (OUTSIDE)	Retén exterior
63	12-92721	WASHER	Cierre
64	14-18323	TAB WASHER	Arandela cierre
65	79448	COVER NUT	Tuerca
66	12-825467	THRUST HUB	Separador
67	13-42351-1	LOCK WASHER	Arandela cierre

# HER SHENG MARINE INDUSTRIAL CO., LTD.

MERCUISER		<b>HER SHENG</b>		MR/ALPHA ONE
Nº	OEM	DESCRIPTION	DESCRIPCIÓN	
68	12-31211A2	TAB W ASHER RECEIVER	Casquillo	
69	14-31210	TAB W ASHER	A randela tuerca	
69	14-816629	TAB W ASHER (LONG LEG )	A randela tuerca	
70	11-827614	LOCK NUT	Tuerca eje	
71	45-42634	DRIVE SHAFT	Eje transm isión	
72	25-30271	SLINGER	Retén	
73	12-29245	W ASHER	A randela	
74	23-824108	THRUST SPACER	Espaciador	
75	17-35973	DOW EL PIN	Pasador	
76	28-30281	KEY	Chaveta	
77	24-34576	SPRING	M uelle	