

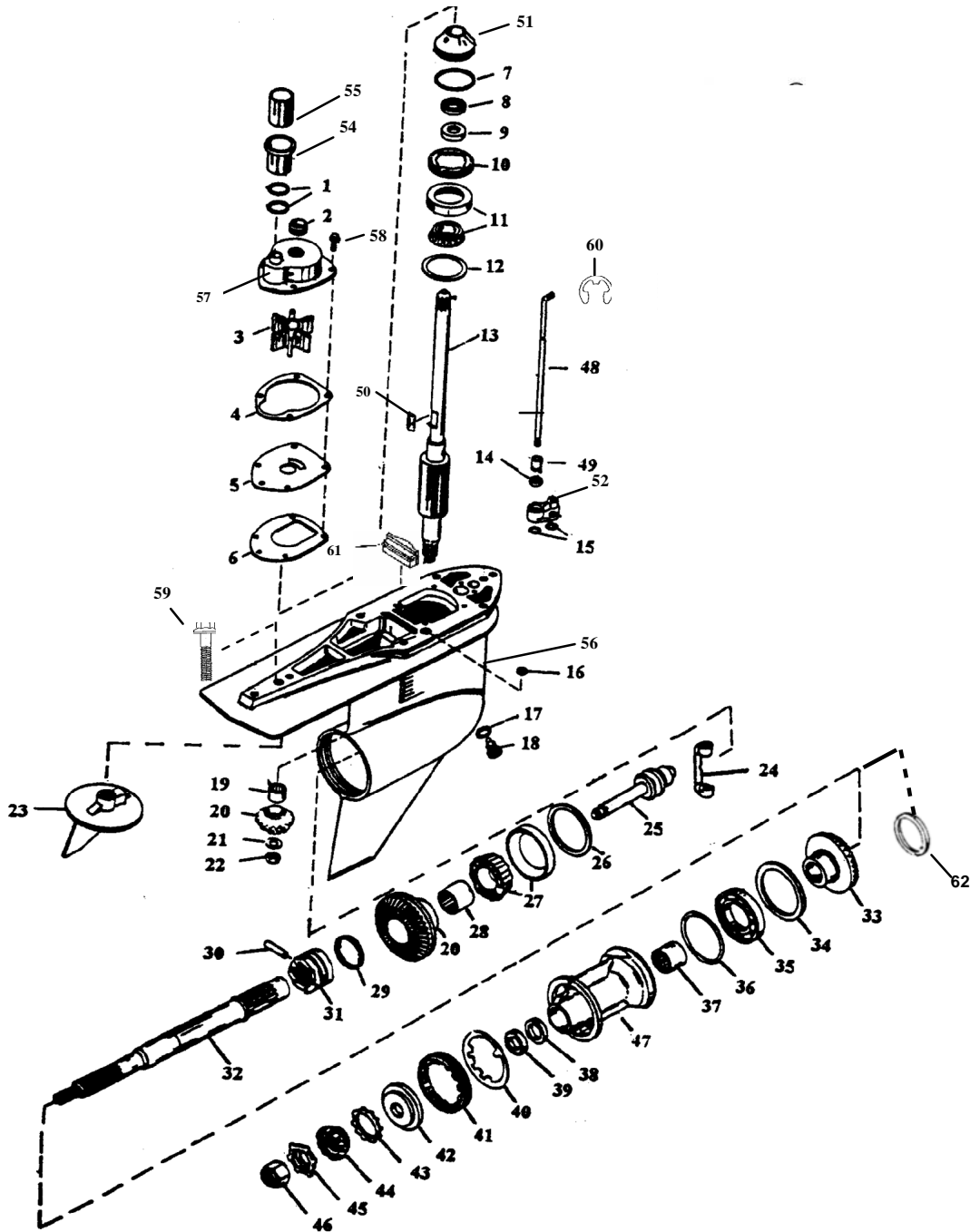
# HER SHENG MARINE INDUSTRIAL CO., LTD.

MERCUISER

## HER SHENG

ALPHA ONE GEN. II

### DESPIECE PARTE INFERIOR COLA - Gear housing components



# HER SHENG MARINE INDUSTRIAL CO., LTD.

| MERCUISER      |                 | <b>HER SHENG</b>              | ALPHA ONE GEN. II           |
|----------------|-----------------|-------------------------------|-----------------------------|
| N <sup>o</sup> | OEM             | DESCRIPTION                   | DESCRIPCIÓN                 |
| 56             | 1623-815822A 30 | GEAR CASE                     | Carcasa                     |
| 56             | 1623-815822A 36 | GEAR CASE                     | Carcasa                     |
| 1              | 25-21836        | O-Ring                        | Aro tórico                  |
| 2              | 26-816575A 2    | FACE SEAL                     | Retén gom a                 |
| 3              | 47-43026-2      | IMPELLER                      | Im pulsor                   |
| 4              | 27-817277       | GASKET                        | Jun ta                      |
| 5              | 817276-1        | FACE PLATE                    | Tapa bom ba agua            |
| 6              | 27-43033-1      | GASKET                        | Jun ta                      |
| 7              | 25-90011        | O-RING                        | A ro tórico                 |
| 8 y 9          | 26-66302        | OIL SEAL                      | Retén aceite(1996 y +)      |
| 10             | 824519          | RETAINER                      | Retenedor                   |
| 11             | 31-36387A 1     | ROLLER BEARING (1991-1997)    | Rodam iento                 |
| 11             | 31-33138A 1     | Roller Bearing(1998 & up)     | Rodam iento (1998+)         |
| 12             | 15-42637A 1     | SHIRM                         | G rueso                     |
| 13             | 45-816919       | Drive Shaft (1991-1997)       | Eje transm isión            |
| 14             | 26-816464-1     | OIL SEAL                      | Retén aceite                |
| 15             | 25-36318        | O-RING                        | A ro tórico                 |
| 16             | 26-45577-1      | SEAL                          | Retén                       |
| 17             | 12-19183        | WASHER                        | Jun ta tapón                |
| 18             | 22-67892A 1     | SCREW                         | Tuerca                      |
| 19             | 31-42647A 1     | Roller Bearing                | Rodam iento                 |
| 20             | 43-828072A 2    | Forward Gear Set(1991-95)     | K it piñones (91-95)        |
| 20             | 43-828072A 3    | Forward Gear Set(1996-up)     | K it piñones (96>)          |
| 21             | 12-92721        | Washer                        | Jun ta                      |
| 22             | 11-35921        | Nut                           | Tuerca                      |
| 23             | 76214A 1        | Trim Tab                      | A nodo zinc                 |
| 24             | 76865           | Shift Crank                   | H orquilla Cam bio          |
| 25             | 818349T1        | Shift Spool                   | Eje D esplazable            |
| 26             | 15-47397A 1     | Shim (1991-95)3.500 O.D.      | G rueso (1991-95)           |
| 26             | 15-44491A 1     | Shim (1996-UP)3.265 O.D.      | G rueso (1996 y +)          |
| 27             | 31-35928T1      | Bearing(1.875 ID .3.500 O.D.) | Cojinete ∅ I47,62E88,9m m   |
| 27             | 31-828437A 2    | Bearing(1.750 ID .3.500 O.D.) | Cojinete ∅ I44,45E88,9m m   |
| 27             | 31-828439A 2    | Bearing(1.875 ID .3.265 O.D.) | Cojinete ∅ I47,62E82,93m m  |
| 27             | 31-30894A 1     | Bearing(1.750 ID .3.265 O.D.) | Cojinete ∅ I 44,45E82,93m m |
| 28             | 31-30895        | Roller Bearing                | Rodam iento                 |
| 29             | 24-30893        | Spring                        | M uelle                     |

# HER SHENG MARINE INDUSTRIAL CO., LTD.

| MERCUISER      |               | <b>HER SHENG</b>          |                      | ALPHA ONE GEN. II |
|----------------|---------------|---------------------------|----------------------|-------------------|
| N <sup>o</sup> | OEM           | DESCRIPTION               | DESCRIPCIÓN          |                   |
| 30             | 17-30632      | Cross Pin                 | Pasador              |                   |
| 31             | 52-853594     | Clutch                    | Piñón cam bio        |                   |
| 32             | 44-824110     | Propeller Shaft (1991-97) | Eje hélice (1991-97) |                   |
| 32             | 44-850308     | Propeller Shaft (1998-up) | Eje hélice (1998-up) |                   |
| 33             | 43-828073A 1  | Reverse Gear              | Piñón m archa atrás  |                   |
| 34             | 68100-1       | Thrust Ring               | A ro                 |                   |
| 35             | 30-88957T     | Ball Bearing              | Cojinete de bola     |                   |
| 36             | 25-31534      | O-Ring                    | A ro tórico          |                   |
| 37             | 31-30956      | Roller Bearing            | Rodam iento          |                   |
| 38             | 26-14077      | Oil Seal                  | Retén aceite         |                   |
| 39             | 26-12224      | Oil Seal                  | Retén aceite         |                   |
| 40             | 14-18323      | Tab Washer                | Tapa                 |                   |
| 41             | 79448         | Cover Nut                 | Tuerca               |                   |
| 42             | 12-835467     | Thrust Hub                | Separador            |                   |
| 43             | 13-42351-1    | Lock Washer               | Cierre               |                   |
| 44             | 12-31211A 2   | Tab Wash Receiver         | Tope cierre hélice   |                   |
| 45             | 14-816629     | Tab Washer                | Cierre               |                   |
| 46             | 11-827614     | Nut                       | Tuerca               |                   |
| 47             | 818763A 10    | Bearing Carrier           | Cojinete cola        |                   |
| 48             | 815919A 1     | Lower Shift Shaft         | Eje transm isión     |                   |
| 49             | 23-67370      | Sleeve                    | Leva                 |                   |
| 50             | 28-43037      | Key                       | Cierre               |                   |
| 51             | 821759A 4/A 1 | Carrier Assembly          | Base bomba (1991+)   |                   |
| 52             | 23-815921A 21 | Shift Bushing             | Shift bushing        |                   |
| 53             | 806105A 1     | Anchor Assembly           |                      |                   |
| 54             | 816597A 1     | Coupling Assembly         | Tubo agua            |                   |
| 55             | 23-816583     | Guide Tube                | Tubo                 |                   |
| 57             | 817275A 1     | Pump Assembly-water       | Tapa bomba agua      |                   |
| 58             | 10-816928     | Screw                     | Tomillo              |                   |
| 59             | 10-806327     | Screw                     | Tomillo              |                   |
| 60             | 53-29641      | E-ring                    | Cierre               |                   |
| 61             | 23-824108     | THRUST SPACER             | Suplem ento          |                   |
| 62             | 821526        | FILLER BLOCK              | Relleno negro        |                   |